

- NOTES:
- USE NON MARKING, LOW TACK, CLEAR TAPE TO HOLD BACK PLASTIC
 - CLEAN MATING SURFACE WITH DENATURED ALCOHOL PRIOR TO ADHERING
 - APPLY 13-17 lb-in/ 1.5-1.9 N-m TORQUE TO SCREWS
 - APPLY 8-12 lb-in/ 0.9-1.4 N-m TORQUE TO SCREWS
 - USE 3M 4016 DOUBLE SIDED FOAM TAPE TO ADHERE TO PLASTIC SHROUD AND APPLY PRESSURE FOR AT LEAST 5 SEC
 - COLOR DESIGNATOR PER -XX AS SPECIFIED IN PARENT SKU, -XX COLOR PER SOP 622-200-112



ITEM NO.	PART NUMBER	DESCRIPTION	QTY.	NOTE
1	020-7434-XX	PLASTIC, DISPLAY, REAR, BCS	1	
2	020-7435-XX	PLASTIC, DISPLAY, REAR, UPPER COVER, BCS	1	
3	020-7440-XX	BRACKET, MAG RACK	1	
4	020-7441	PLASTIC, DISPLAY, LED MOUNT, BCS	1	
5	020-7445-XX	PLASTIC, DISPLAY, FAN VENT	1	
6	050-5619	LABEL, GFC, START/STOP	1	
7	110-3148	NUT, M3, HEXAGON, ISO4762	2	
8	110-3163	SCREW, M3x0.5, 8mm, PHT, PH, CS, ZP, TC, Grd-10.9	18	
9	110-3229	Screw, M3x0.5, 10mm, PHM, PH, CS, ZI	3	
10	110-3402	SCREW, #8-18, 3/4", HI-LOW, PHT, PH, CS, BO	17	REF
11	110-3631	STANDOFF, M3, 10mm x 6mm, 18-8 STAINLESS	2	
12	110-3638	SCREW, #8-18, 1.25", HI-LOW, PHT, PH, CS, BO	7	
13	110-3758	SCREW, M3x0.5, 8mm, PHM, PH, CS, ZP, Grd-10.9	25	
14	110-4002	SCREW, M3x0.5, 16mm, PHT, PH, CS, ZP, TC, Grd-10.9	1	
15	120-3431	WASHER, FLAT, M3, 3.2IDx9ODx0.8TH, CS, ZP	5	
16	120-3432	SPACER, M3, 3.2ID x 8OD x 5L	1	
17	140-3644	LOOP CLAMP, 1/2"	6	
18	240-6918	CONNECTOR, 8-PIN, 90-DEG	2	
19	701-0013	ASSY, PCB, Fan- LED	1	
20	701-0022	ASSY, NUMBER KEYPAD	1	
21	701-0023	ASSY, PCB, RUBBER, BLUETOOTH	1	
22	701-0024	ASSY, KEYPAD, SPEED - INCLINE	1	
23	701-0027	ASSY, FAN ASSEMBLY	1	
24	701-0030	ASSY, SERVICE LIGHT	1	
25	701-0031	ASSY, PCB, RUBBER, FAN	1	
26	701-0033	ASSY, KEYPAD, PROGRAM, BCS, SM	1	
27	701-0048	ASSY, CABLE, SPEED-INCLINE KEYS, BCS	1	
28	701-0049	ASSY, CABLE, FAN KEY	1	

(G)

ITEM NO.	PART NUMBER	DESCRIPTION	QTY.	NOTE
29	701-0050	ASSY, CABLE, FAN-LEDS, BCS	1	
30	701-0051	ASSY, CABLE, PRO-NUM KEYS	2	
31	701-0053	ASSY, CABLE, SERVICE LEDS	1	
32	701-0057	ASSY, CABLE, GROUNDING, LEFT KEYPADS, BCS	1	
33	701-0058	ASSY, CABLE, GROUNDING, RIGHT KEYPADS, BCS	1	
34	701-0062	ASSY, ENTERTAINMENT INSERT, BLANK	1	
35	701-0064-GFC	PCB, BRAIN BOARD, CBS1U, G/FC, LCD	1	
36	701-0072	CABLE, LCD TO BB	1	
37	701-0075	CABLE, WAHOO TO BB	1	
38	701-0228	PCB, DISPLAY BOARD, DGS2U, SM, W/ GASKET	1	
39	701-0241	ASSY, CABLE, FAN-BLE KEY	1	
40	701-0244	ASSY, CABLE, WIRELESS HR	1	
41	701-0245	CABLE, CSAFE	1	
42	701-0246	CABLE, POWER, MYE RECEIVER	1	
43	701-0286	DISP BOARD, RELIEF BRACKET, BCS	1	
44	701-0315	ASSY, WAHOO BOARD, NFC ANT	1	
45	701-0319-XX	PLASTIC, DISPLAY, FRONT, LCD, ST, SM, GFC, W/ INSERTS	1	
46	715-3864	ASSY, WIRELESS HR, POLAR, 92cm L.R.	1	

REVISION HISTORY				
REV	DATE	DESCRIPTION	ECO	BY
A	1/22/2015	PRODUCTION RELEASE	14878	SS
B	10/6/2015	REMOVE: 701-0064 (1); ADD: 701-0064-GFC (1); UPDATE DESCRIPTION	15131	MMG
C	8/22/2016	REPLACE 110-3163 (26) WITH 110-3758 (26); REPLACE 020-7437-XX (1) WITH 701-0215-XX (1); UPDATE NOTE 6	15463	MMG
D	10/13/2016	REPLACE: 701-0065 (1) WITH 701-0228 (1)	15575	MMG
E	2/6/2017	ADDED: 110-4002 (1), 120-3431 (5), 120-3432 (1), 140-3644 (6), 701-0053 (1), 701-0241 (1), 701-0244 (1), 701-0245 (1), 701-0246 (1), 701-0286 (1) & SHEET 3 REMOVED: 220-0295, 701-0052, 701-0054, 718-5196, 715-3946 QTY CHANGE: 701-0049 (IS 1, WAS 2), 701-0051 (IS 2, WAS 1), 110-3163 (IS 18, WAS 19), 110-3229 (IS 3, WAS 2), 110-3758 (IS 25, WAS 26)	15654	ZDH
F	11/6/2017	ADDED: 701-0315 (1), 701-0319-XX (1) REMOVED: 701-0066, 701-0215-XX CHANGED: NOTE #5 TO INCLUDE CALLOUT FOR ADHESIVE USED	15821	ZDH
G	11/30/2018	REMOVE: 050-2368; ADD: 050-5619	15975	BB

DOCUMENT STATUS:

NOTICE OF PROPRIETARY INFORMATION

THIS DOCUMENT SHALL NOT BE REPRODUCED NOR SHALL THE INFORMATION CONTAINED HEREIN BE USED BY OR DISCLOSED TO OTHER EXCEPT AS EXPRESSLY AUTHORIZED BY CORE HEALTH & FITNESS, LLC.

CLASS OF WORK	UNLESS OTHERWISE SPECIFIED DIMS ARE IN mm. TOLERANCES FOR MEASURE OF LENGTH ARE:								MATERIAL SEE BOM
	0.5 to 3	> 3 to 6	> 6 to 30	> 30 to 120	> 120 to 400	> 400 to 1000	> 1000 to 2000	> 2000	
FINE	±0.05	±0.05	±0.1	±0.15	±0.2	±0.3	±0.5	----	FINISH N/A
MEDIUM	±0.1	±0.1	±0.2	±0.3	±0.5	±0.8	±1.2	±2	
COARSE	±0.2	±0.3	±0.5	±0.8	±1.2	±2	±3	±4	
VERY COARSE	----	±0.5	±1	±1.5	±2.5	±4	±6	±8	

MATERIAL SEE BOM

FINISH N/A

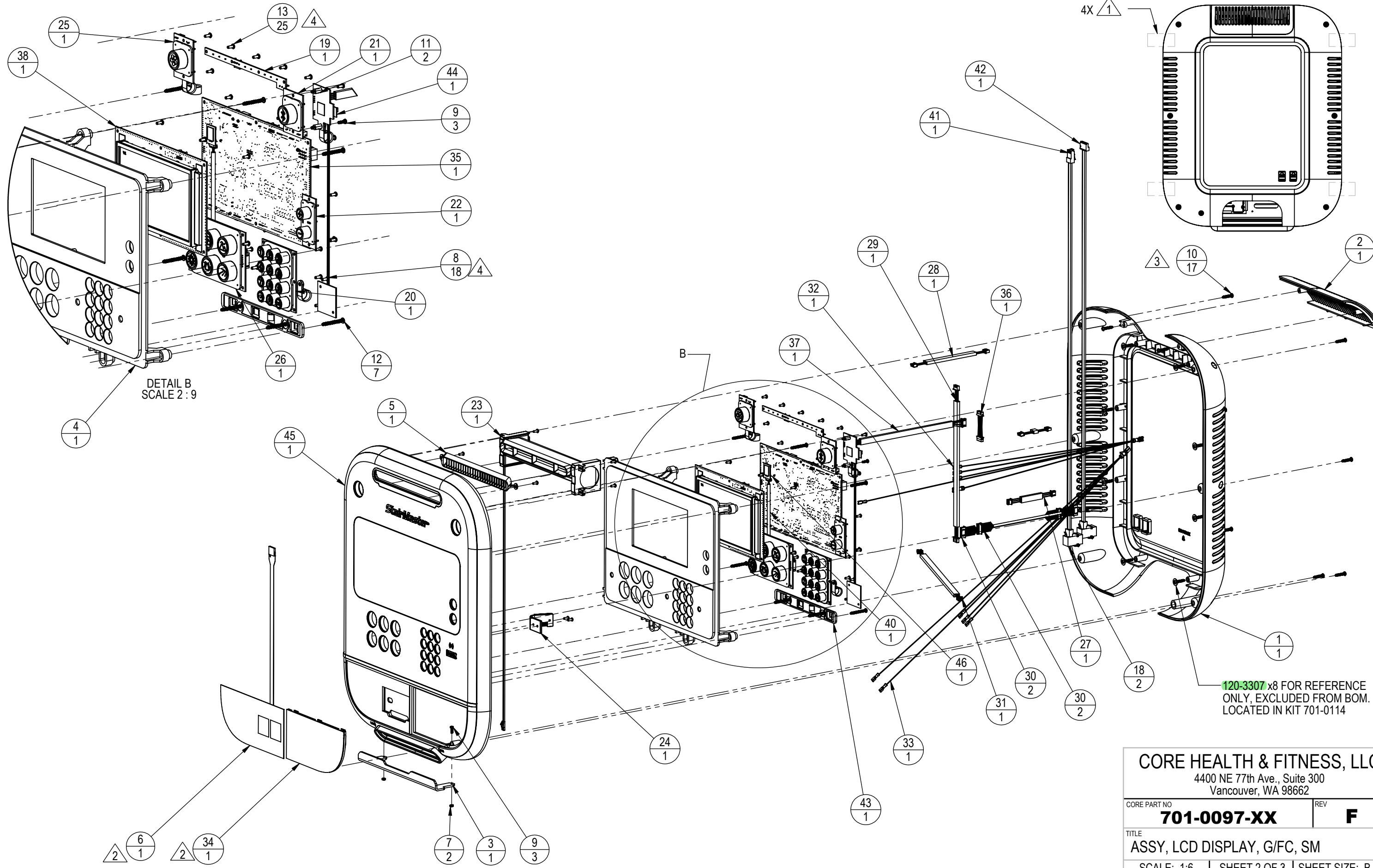
VENDOR: N/A

P/N: N/A

THIRD ANGLE PROJECTION		
DRAWN	INITIAL SS	DATE 05/23/2018
CHECKED		
APPROVED		

CORE HEALTH & FITNESS, LLC		
4400 NE 77th Ave., Suite 300 Vancouver, WA 98662		
CORE PART NO	REV	TITLE
701-0097-XX	F	ASSY, LCD DISPLAY, G/FC, SM
SCALE: 1:6	SHEET 1 OF 3	SHEET SIZE: B

9 8 7 6 5 4 3 2 1

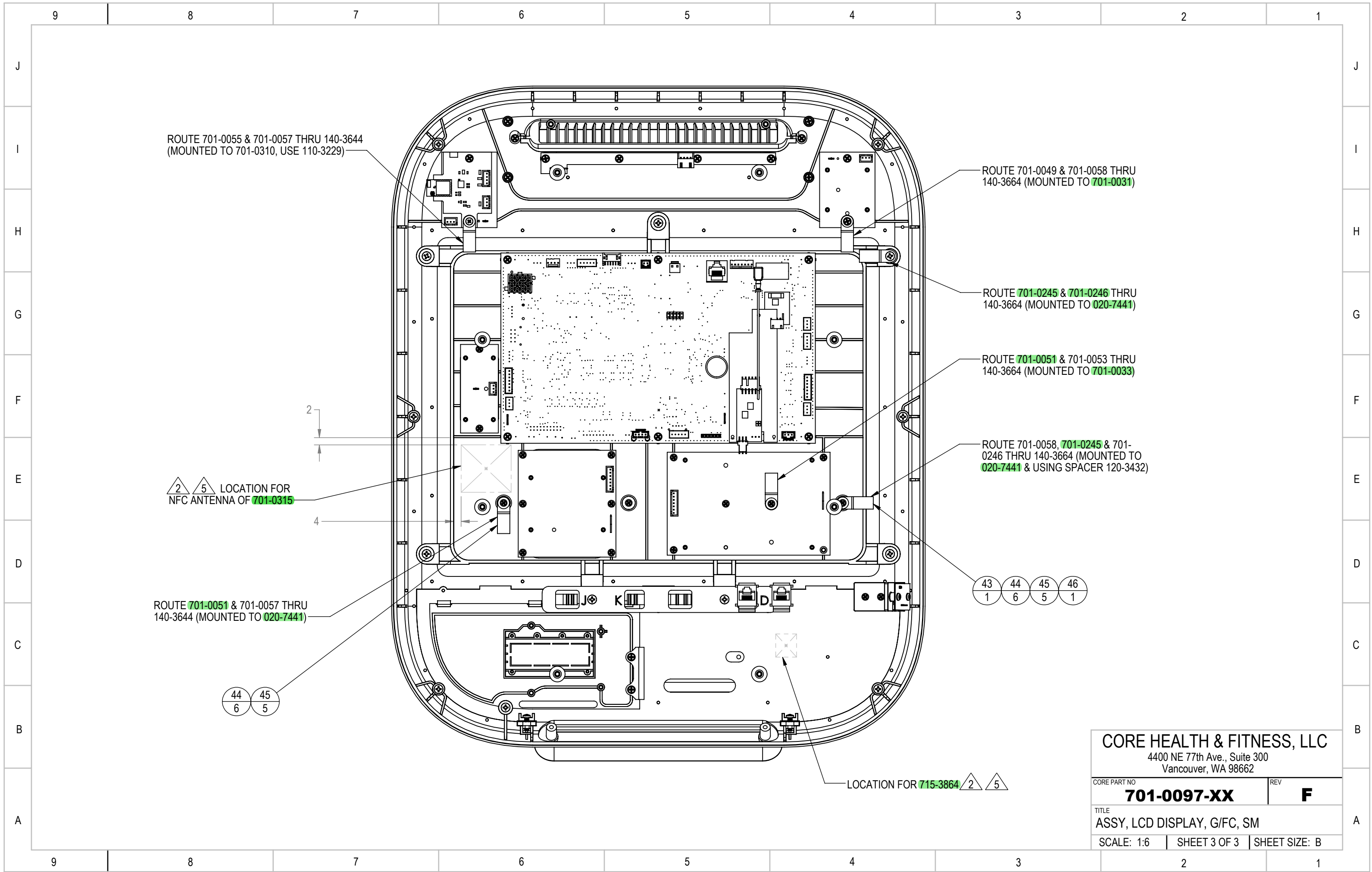


DETAIL B
SCALE 2 : 9

120-3307 x8 FOR REFERENCE
ONLY, EXCLUDED FROM BOM.
LOCATED IN KIT 701-0114

CORE HEALTH & FITNESS, LLC	
4400 NE 77th Ave., Suite 300 Vancouver, WA 98662	
CORE PART NO	REV
701-0097-XX	F
TITLE	
ASSY, LCD DISPLAY, G/FC, SM	
SCALE: 1:6	SHEET 2 OF 3 SHEET SIZE: B

9 8 7 6 5 4 3 2 1



ROUTE 701-0055 & 701-0057 THRU 140-3644
(MOUNTED TO 701-0310, USE 110-3229)

ROUTE 701-0049 & 701-0058 THRU 140-3664 (MOUNTED TO 701-0031)

ROUTE 701-0245 & 701-0246 THRU 140-3664 (MOUNTED TO 020-7441)

ROUTE 701-0051 & 701-0053 THRU 140-3664 (MOUNTED TO 701-0033)

ROUTE 701-0058, 701-0245 & 701-0246 THRU 140-3664 (MOUNTED TO 020-7441 & USING SPACER 120-3432)

△ 2 △ 5 LOCATION FOR NFC ANTENNA OF 701-0315

ROUTE 701-0051 & 701-0057 THRU 140-3644 (MOUNTED TO 020-7441)

LOCATION FOR 715-3864 △ 2 △ 5

CORE HEALTH & FITNESS, LLC
4400 NE 77th Ave., Suite 300
Vancouver, WA 98662

CORE PART NO	REV
701-0097-XX	F

TITLE
ASSY, LCD DISPLAY, G/FC, SM

SCALE: 1:6	SHEET 3 OF 3	SHEET SIZE: B
------------	--------------	---------------